

Part number:

025-10109

HYDROMA

HYDRAULICKÉ SYSTÉMY

**HIDROMA
SYSTEMS**

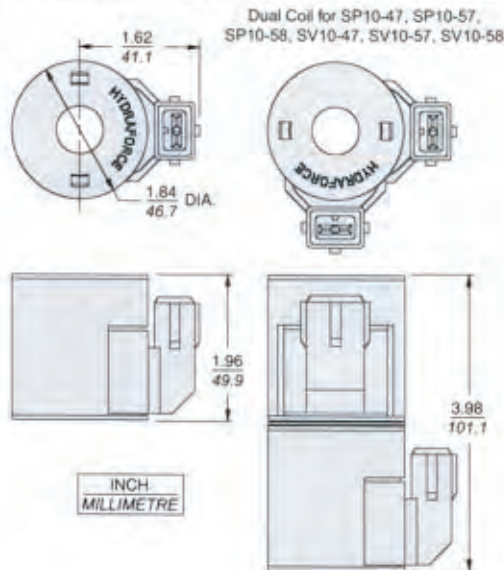
UKŁADY HYDRAULICZNE

HYDROMA

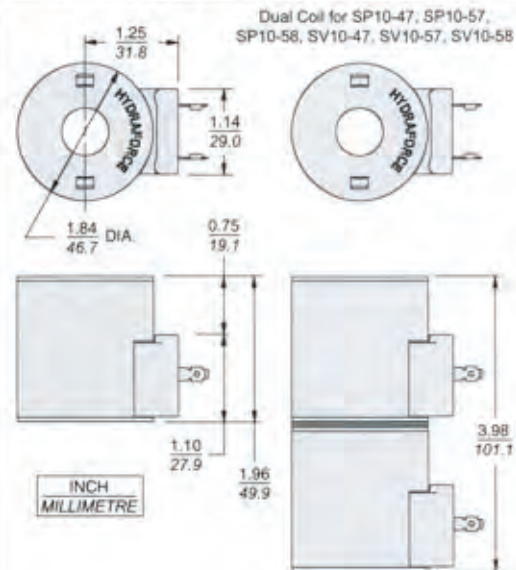
ГИДРАВЛИЧЕСКИЕ СИСТЕМЫ

Series E Environmental Coils

10-SIZE SERIES E COILS (Also for use on 12-size poppet valves and 16-size poppet valves)



EJ
IP67 Rated 10-Size Coil
Amp Jr. Timer Connector



EG
IP65 Rated 10-Size Coil; DIN 43650 Connector
IP67 rated if used with sealed mating connector and gasket

| EJ Coil Part No. | EJ/Z* Coil Part No. | EG Coil Part No. | EG/Z* Coil Part No. | Operating Voltage | Resistance at 20°C | Initial Current Draw | Power | Coil Weight |
|------------------|---------------------|------------------|---------------------|-------------------|--------------------|----------------------|------------|-------------------|
| — | — | 4305881 | 4305891 | 10 VDC | 5.0 ohms | 2.0 amps | 20.0 watts | 408 g. (14.4 oz.) |
| 4305612 | 4305412 | 4305882 | 4305892 | 12 VDC | 7.1 ohms | 1.7 amps | 20.5 watts | 408 g. (14.4 oz.) |
| — | — | 4305883 | 4305893 | 20 VDC | 19.1 ohms | 1.0 amps | 19.1 watts | 408 g. (14.4 oz.) |
| 4305624 | 4305424 | 4305884 | 4305894 | 24 VDC | 28.5 ohms | 0.8 amps | 18.2 watts | 408 g. (14.4 oz.) |

* Models with Zener Diode

Note: Electrical specifications for Series E coils differ from those for standard HydraForce coils. (Refer to page 3.200.1 for standard coil specifications.)

