

Part number:

HYDROMA

HYDRAULICKÉ SYSTÉMY

**HIDROMA
SYSTEMS**

UKŁADY HYDRAULICZNE

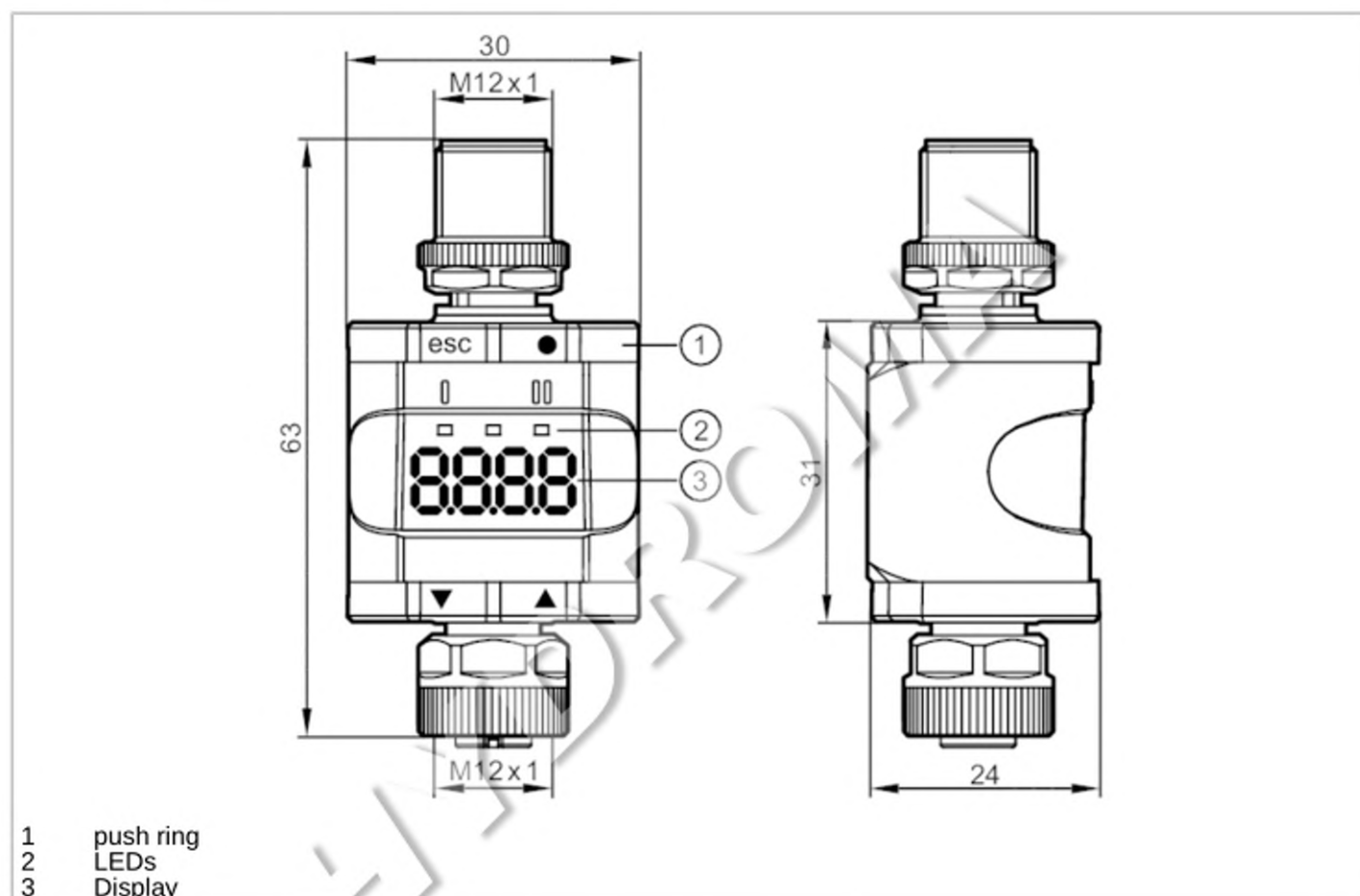
HYDROMA

ГИДРАВЛИЧЕСКИЕ СИСТЕМЫ

DP2200

Evaluation system and display for analogue signals

Analog Threshold Displ./4-20mA



- 1 push ring
2 LEDs
3 Display



Application

Application: decentralised display, preprocessing and conversion of analogue signals

Electrical data

Operating voltage [V]	18...30 DC; (to SELV/PELV)
Nominal voltage DC [V]	24
Current consumption [mA]	30...830; (24 V DC, full load)

Inputs / outputs

Number of inputs and outputs: Number of analogue inputs: 1; Number of digital outputs: 1

Inputs

Sensor supply of the inputs	24 V DC
Number of analogue inputs	1
Analogue input (current) [mA]	4...20

DP2200

Evaluation system and display for analogue signals

Analog Threshold Displ./4-20mA

Outputs		
Number of digital outputs		1
Voltage range DC [V]		10...30
Output function		normally open / normally closed; (parameterisable)
Max. current load per output [mA]		50
Analogue current output [mA]		4...20
Precision analogue output [%]		0,5
Resolution of analogue output		10 Bit
Interfaces		
Communication interface		IO-Link
Supported DeviceIDs	Type of operation Default	DeviceID 610
IO-Link Device		
Transmission type		COM2 (38,4 kBaud)
IO-Link revision		1.1
SDCI standard		IEC 61131-9
Profiles		Smart Sensor
SIO mode		yes
Required master port type		A
Process data analogue		1
Process data binary		1
Min. process cycle time [ms]		3
Operating conditions		
Ambient temperature [°C]		-25...60
		2000 m: -25...60 °C
Note on ambient temperature		3000 m: -25...52 °C
		4000 m: -25...48 °C
Storage temperature [°C]		-25...70
Max. relative air humidity [%]		90; (linearly decreasing to 50 % (40 °C); non condensing)
Max. height above sea level [m]		2000
Protection		IP 67
Tests / approvals		
MTTF [years]		373
UL approval	File number UL	E205959
Mechanical data		
Weight [g]		108
Dimensions [mm]		63 x 30 x 24
Materials		PA

DP2200

Evaluation system and display for analogue signals

Analog Threshold Displ./4-20mA

Displays / operating elements		
Display	switching status	LED, yellow
	operation	LED, green
		7-segment LED display, red/ green 4-digit parameterisable
		digit height 6,8 mm
		digit width 3,8 mm

Accessories	
Accessories (optional)	mounting clip

Remarks	
Remarks	For further information please see the operating instructions.
Pack quantity	1 pcs.

Electrical connection - plug

Connector: M12; coding: A



Connection

1	L+ supply
2	OUT2 analogue output
3	L- supply
4	OUT1 IO-Link (C/Q)

Electrical connection - socket

Connector: M12; coding: A



Connection

1	L+ Sensor supply
2	4...20 mA analogue input
3	L- Sensor supply
4	not used
5	not used