

Part number:

HYDROMA

HYDRAULICKÉ SYSTÉMY

**HIDROMA
SISTEMS**

UKŁADY HYDRAULICZNE

HYDROMA

ГИДРАВЛИЧЕСКИЕ СИСТЕМЫ



RM*-W PRESSURE CONTROL VALVES

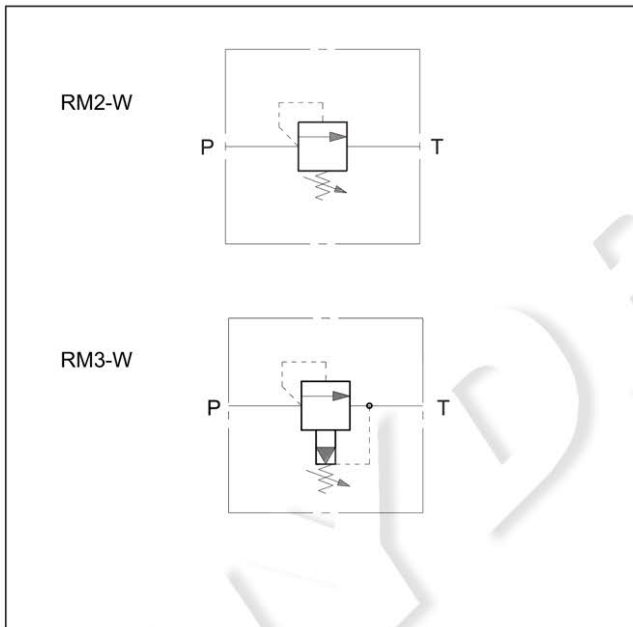
RM2-W SERIES 31
RM3-W SERIES 30

THREADED PORTS

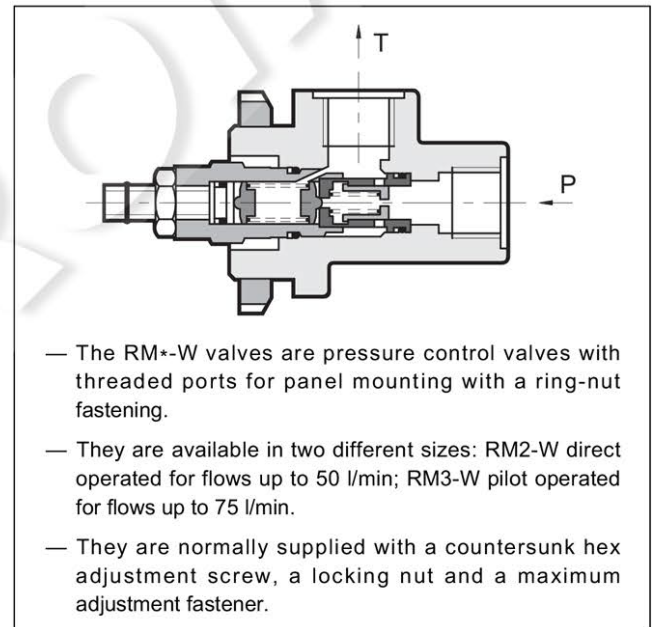
p max **350** bar

Q max (see table of performances)

HYDRAULIC SYMBOLS



OPERATING PRINCIPLE



PERFORMANCES (measured with mineral oil of viscosity 36 cSt at 50°C)

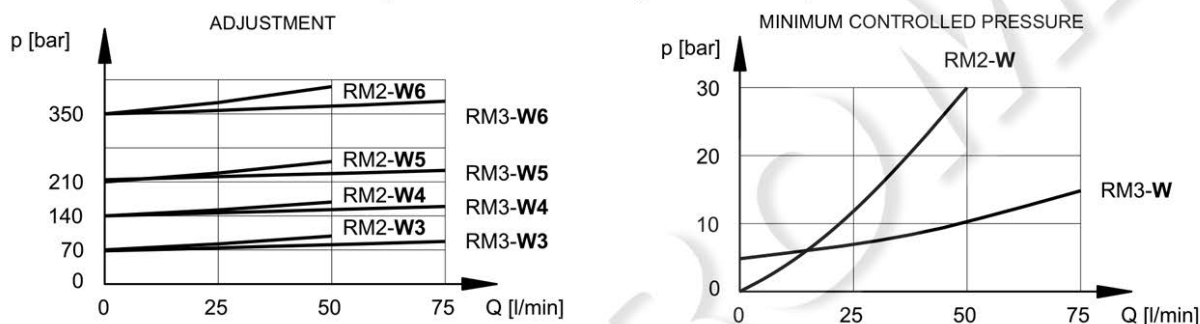
		RM2-W	RM3-W
Maximum operating pressure	bar	350	
Minimum controlled pressure		see diagram	
Maximum flow rate	l/min	50	75
Ambient temperature range	°C	-20 / +50	
Fluid temperature range	°C	-20 / +80	
Fluid viscosity range	cSt	10 ÷ 400	
Fluid contamination degree		according to ISO 4406:1999 class 20/18/15	
Recommended viscosity	cSt	25	
Mass	kg	0,9	

RM*-W

1 - IDENTIFICATION CODE

<table border="1"> <tr> <td style="padding: 5px;">R</td> <td style="padding: 5px;">M</td> <td style="padding: 5px;">-</td> <td style="padding: 5px;">W</td> <td style="padding: 5px;">/</td> <td style="padding: 5px;"></td> <td style="padding: 5px;"></td> <td style="padding: 5px;"></td> <td style="padding: 5px;"></td> <td style="padding: 5px;"></td> </tr> </table>	R	M	-	W	/						<p>Example: RM2-W3/31N/K RM3-W3/M1/30/V</p> <p>only for RM2: /K = Adjustment knob (omit for adjustment with countersunk hex screw)</p> <p>only for RM3: Seals Omit for NBR seals for mineral oils (standard) /V = FPM seals for special fluids</p> <p>Series no: 31 for RM2-W 30 for RM3-W</p> <p>only for RM2: Seals N = NBR seals for mineral oils (standard) V = FPM seals for special fluids</p> <p>only for RM3: M1 = Adjustment knob (omit for adjustment with countersunk hex screw)</p>
R	M	-	W	/							
<p>Pressure control valve</p> <p>Nominal dimension: 2 = 3/8" 3 = 1/2"</p> <p>Threaded ports BSP</p> <p>Pressure adjustment range: 3 = up to 70 bar 5 = up to 210 bar 4 = up to 140 bar 6 = up to 350 bar</p>											

2 - CHARACTERISTIC CURVES (values obtained with viscosity of 36 cSt at 50°C)



3 - HYDRAULIC FLUIDS

Use mineral oil-based hydraulic fluids HL or HM type, according to ISO 6743-4. For these fluids, use NBR seals (code N). For fluids HFDR type (phosphate esters) use FPM seals (code V). For the use of other kinds of fluid such as HFA, HFB, HFC, please consult our technical department. Using fluids at temperatures higher than 80 °C causes a faster degradation of the fluid and of the seals characteristics. The fluid must be preserved in its physical and chemical characteristics.

4 - OVERALL AND MOUNTING DIMENSIONS

<p>dimensions in mm</p>	<table border="1"> <tr> <td style="text-align: center;">1</td> <td>Countersunk hex adjustment screw: RM2-W: spanner 6 RM3-W: spanner 5 Clockwise rotation to increase pressure</td> </tr> <tr> <td style="text-align: center;">2</td> <td>Locking nut: RM2-W: spanner 19 RM3-W: spanner 17</td> </tr> <tr> <td style="text-align: center;">3</td> <td>Ring-nut for flange mounting type SKF KM9</td> </tr> <tr> <td style="text-align: center;">4</td> <td>Outlet port 1/2" BSP</td> </tr> <tr> <td style="text-align: center;">5</td> <td>Pressure port: RM2-W: 3/8" BSP RM3-W: 1/2" BSP</td> </tr> <tr> <td style="text-align: center;">6</td> <td>Adjustment knob: RM3-W: M1</td> </tr> <tr> <td style="text-align: center;">7</td> <td>Adjustment knob: RM2-W: K</td> </tr> <tr> <td style="text-align: center;">8</td> <td>Locking ring</td> </tr> </table>	1	Countersunk hex adjustment screw: RM2-W : spanner 6 RM3-W : spanner 5 Clockwise rotation to increase pressure	2	Locking nut: RM2-W : spanner 19 RM3-W : spanner 17	3	Ring-nut for flange mounting type SKF KM9	4	Outlet port 1/2" BSP	5	Pressure port: RM2-W : 3/8" BSP RM3-W : 1/2" BSP	6	Adjustment knob: RM3-W : M1	7	Adjustment knob: RM2-W : K	8	Locking ring
1	Countersunk hex adjustment screw: RM2-W : spanner 6 RM3-W : spanner 5 Clockwise rotation to increase pressure																
2	Locking nut: RM2-W : spanner 19 RM3-W : spanner 17																
3	Ring-nut for flange mounting type SKF KM9																
4	Outlet port 1/2" BSP																
5	Pressure port: RM2-W : 3/8" BSP RM3-W : 1/2" BSP																
6	Adjustment knob: RM3-W : M1																
7	Adjustment knob: RM2-W : K																
8	Locking ring																